

T90sr Commissioning

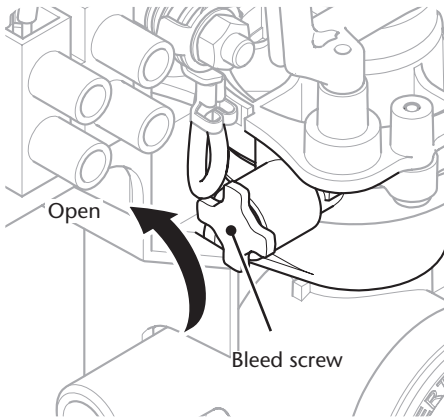
The first operation of the shower is intended to flush out any remaining unit debris and to ensure the heater unit contains water before the elements are switched on.

This operation **MUST** be carried out **WITH** the flexible hose screwed to the outlet but **WITHOUT THE SHOWER HEAD ATTACHED**.

Ensure the outlet of the flexible hose is directed to waste.

Step
1

PRIME THE PUMP

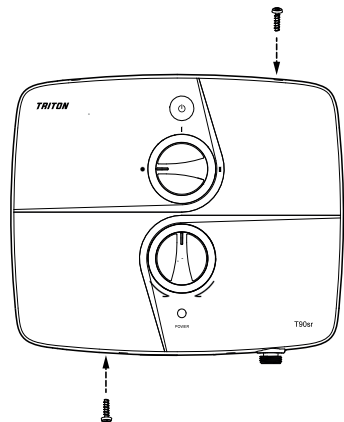


- Ensure the electricity supply is isolated.
- Ensure the water supply to the shower is turned on.
- Open the bleed screw on the pump unit by rotating two revolutions. When water flows from the opening this indicates that any trapped air is vented and that the pump unit is primed. The bleed valve **MUST** now be closed by rotating fully in the opposite direction.

Step
2

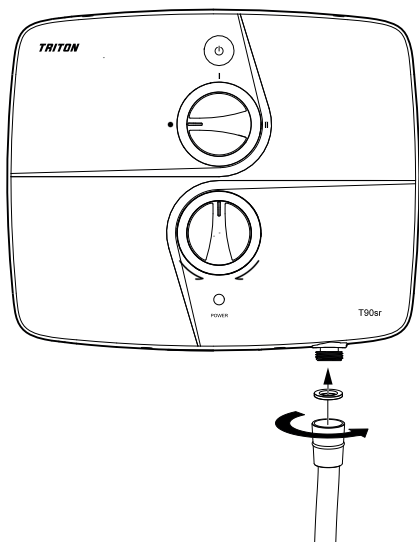
TEMPORARILY FIT THE COVER

- Ensure that the front cover has been fitted correctly and temporarily secure in place with two of the fixing screws supplied with the shower unit.



Step
3

FIT THE SHOWER HOSE

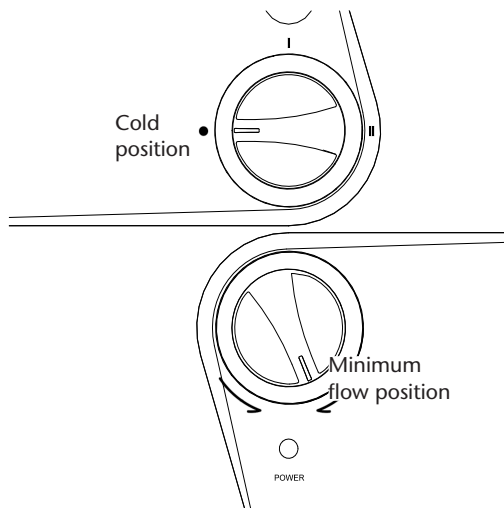


- Attach the appropriate end of the shower hose to the shower outlet using the supplied hose washer seal - **DO NOT** overtighten.
- Position the other end of the shower hose to the bath or tray waste. **DO NOT** fit the shower head.

Step
4

PREPARE THE SHOWER FOR COMMISSIONING

- Ensure that the power selector is in the COLD position.
- Turn the temperature control fully clockwise to the hottest temperature position (MINIMUM flow)*

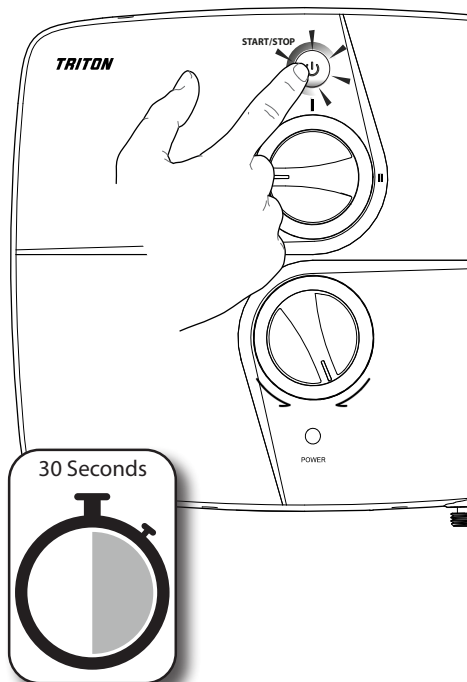


***IMPORTANT: Failure to turn the temperature control to the minimum flow position may cause the PRD to operate.**

Step

5

COMMISSION THE SHOWER



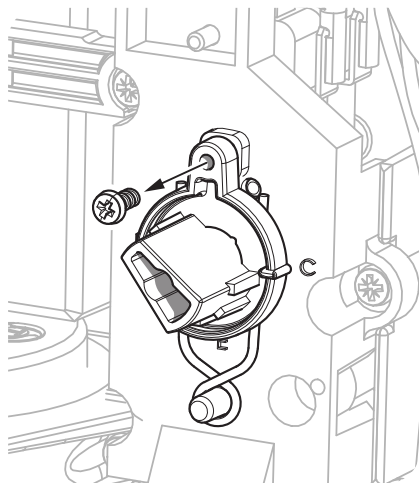
- Ensure the water supply to the shower is turned on.
- Switch on the electricity supply to the shower at the isolating switch.
- Press the start/stop button and wait for the water to flow from the shower hose - allow the water to flow for approximately 30 seconds.
- Slowly rotate the temperature control fully anticlockwise to the MAXIMUM flow position.
- When a smooth flow of water is obtained, rotate the temperature control from MAXIMUM to MINIMUM positions several times to release any remaining trapped air.
- Stop the shower by pressing the start/stop button.

Step

6

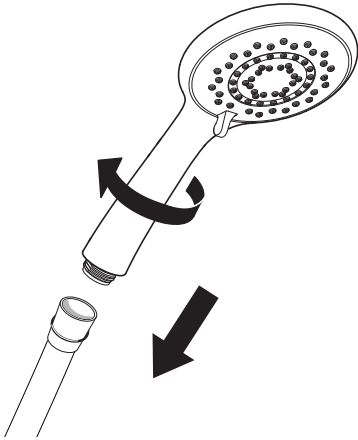
REMOVE THE POWER SELECTOR LOCKING SCREW

- Ensure the electricity supply is isolated.
- Remove the cover.
- Remove the locking screw from the power selector spindle - keep the screw for future use.
- Replace the cover, ensuring no wires are trapped, and secure using the retaining screws.
- Turn on the electricity supply.



Step
7

FIT THE SHOWER HEAD



- Attach the shower head to the shower hose using the supplied hose washer seal - **DO NOT** overtighten.
- Place the shower head in the shower head holder on the riser rail kit.
The shower is now commissioned and ready for use.